

# Technical data sheet



## Product features

### Cooking range solid top gas 3x burner on open cabinet

<b>Model</b>	<b>SAP Code</b>	00018738
--------------	-----------------	----------



- Device type: Gas unit
- Ignition: Piezo+večný plamen
- Protection of controls: IPX4
- Material: Stainless steel

<b>SAP Code</b>	00018738	<b>Net Weight [kg]</b>	97.00
<b>Net Width [mm]</b>	800	<b>Power gas [kW]</b>	19.100
<b>Net Depth [mm]</b>	700	<b>Type of gas</b>	Propane butane, natural gas
<b>Net Height [mm]</b>	900		

# Technical data sheet



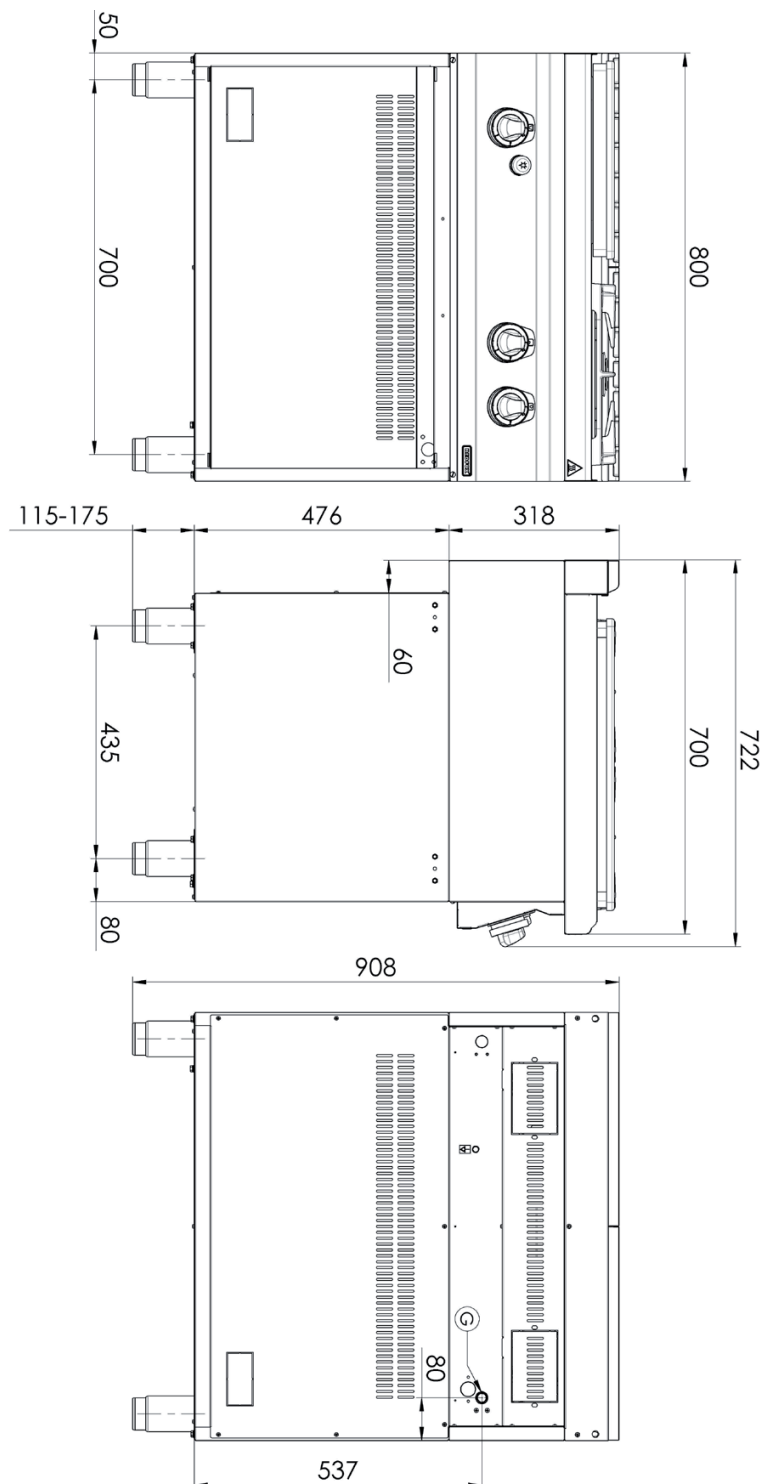
Technical drawing

Cooking range solid top gas 3x burner on open cabinet

Model

SAP Code

00018738



# Technical data sheet



## Technical parameters

### Cooking range solid top gas 3x burner on open cabinet

Model

SAP Code

00018738

**1. SAP Code:**

00018738

**2. Article group:**

Stoves

**3. Net Width [mm]:**

800

**4. Net Depth [mm]:**

700

**5. Net Height [mm]:**

900

**6. Net Weight [kg]:**

97.00

**7. Gross Width [mm]:**

860

**8. Gross depth [mm]:**

820

**9. Gross Height [mm]:**

1079

**10. Gross Weight [kg]:**

97.00

**11. Device type:**

Gas unit

**12. Construction type of device:**

With substructure

**13. Power gas [kW]:**

19.100

**14. Ignition:**

Piezo+večný plamen

**15. Type of gas:**

Propane butane, natural gas

**16. Protection of controls:**

IPX4

**17. Material:**

Stainless steel

**18. Indicators:**

operation and warm-up

**19. Worktop material:**

AISI 304

**20. Worktop Thickness [mm]:**

1.20

**21. Number of power control stages:**

6

**22. Safety thermocouple:**

Yes

**23. Number of burners/hot plates:**

3

**24. Type of gas cooking zones:**

Fire protection to install + Classic burners

**25. Burner type:**

Brass, detachable